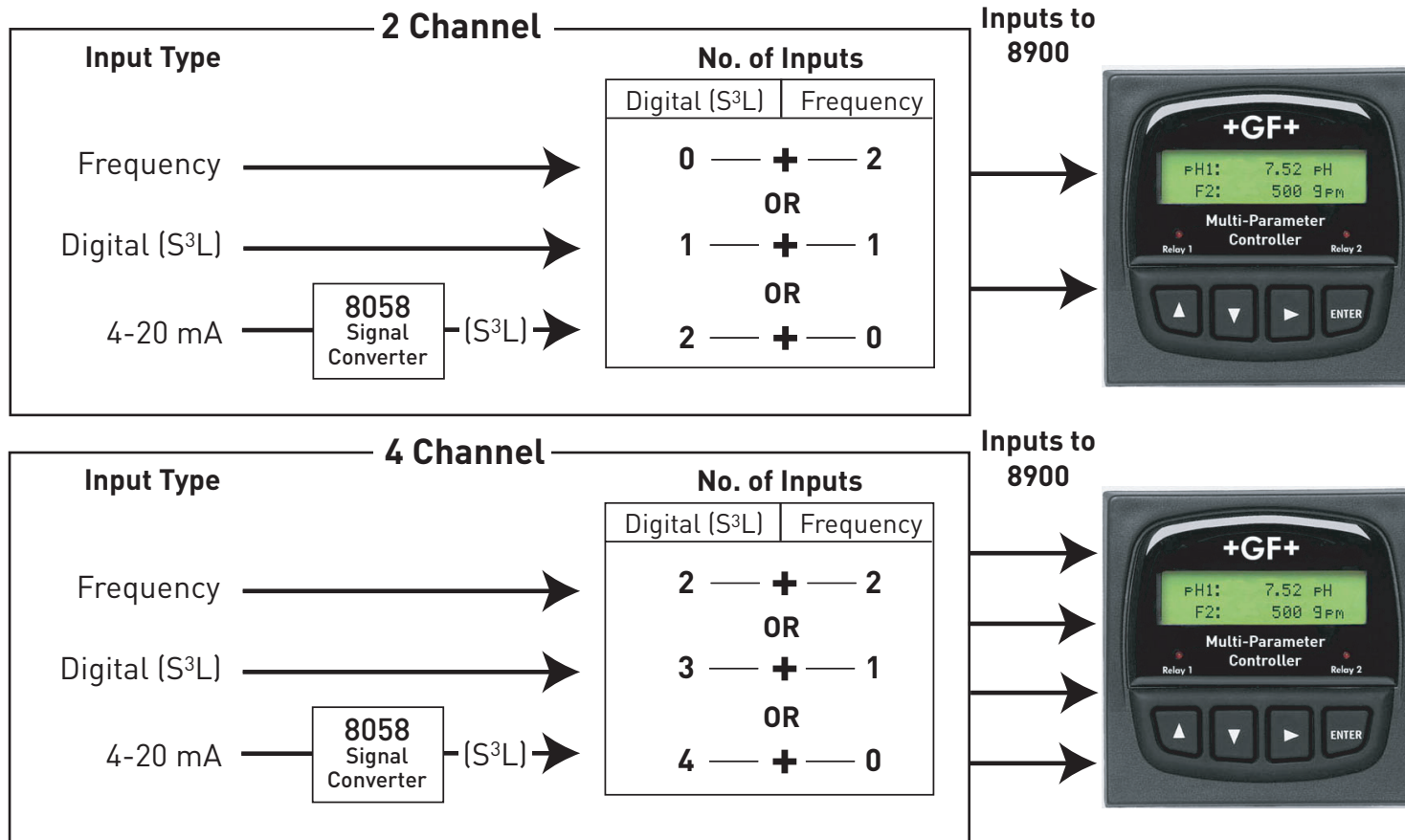


Signet 8900 Multi-Parameter Input Capability

Flow pH ORP Conductivity Level

Resistivity Temperature Pressure Other (4-20 mA)



Note: The digital (S³L) inputs can come directly from digital (S³L) sensors or 4-20 mA sensors whose signal has been converted to digital (S³L) via the 8058 Signal Converter.

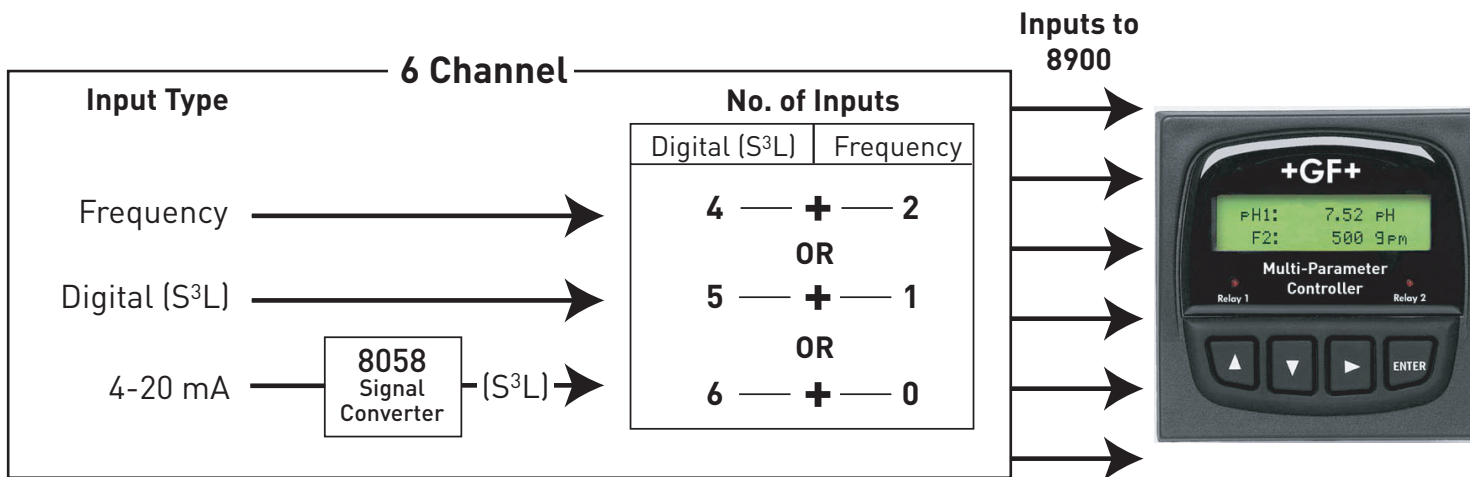
This chart is for reference only. Please contact your local George Fischer Sales Office for more information.



Signet 8900 Multi-Parameter Input Capability

Flow pH ORP Conductivity Level

Resistivity Temperature Pressure Other (4-20 mA)

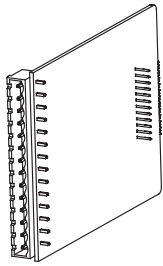


Note: The digital (S³L) inputs can come directly from digital (S³L) sensors or 4-20 mA sensors whose signal has been converted to digital (S³L) via the 8058 Signal Converter.

Signet 8900 Multi-Parameter Output Capability



8900 I/O Module with 2 Analog Outputs

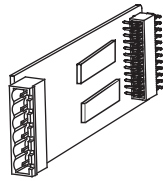


3-8900.401-X

Choose from:

- Passive Current
- Active Current
- 0 to 5/10 VDC

8900 Analog Output Module with 2 Outputs



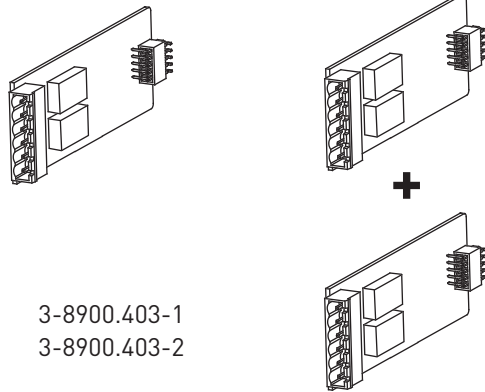
3-8900.405-X

Choose from:

- Passive Current
- Active Current
- 0 to 5/10 VDC

8900 Relay Module with up to 4 Internal Relay Outputs

2 OR 4



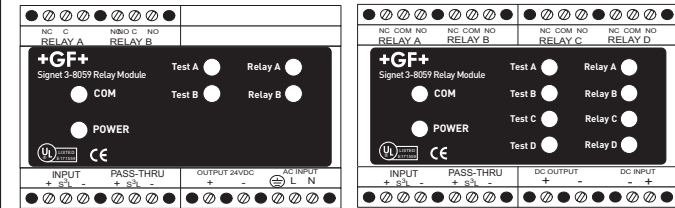
3-8900.403-1
3-8900.403-2

Choose from:

- Dry Contact
- Solid State

8900 Module with External Relay Outputs

2 OR 4



3-8059-2
3-8059-2AC

Available option:

- Dry Contact Only

3-8059-4
3-8059-4AC

This chart is for reference only. Please contact your local George Fischer Sales Office for more information.