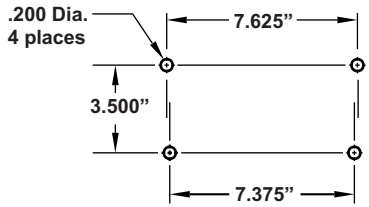
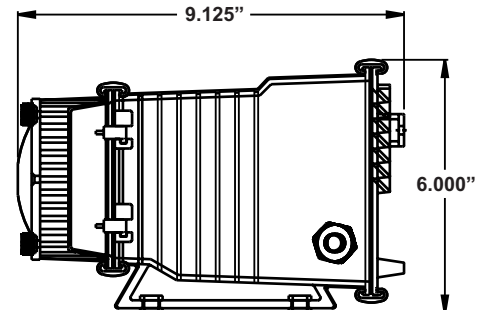
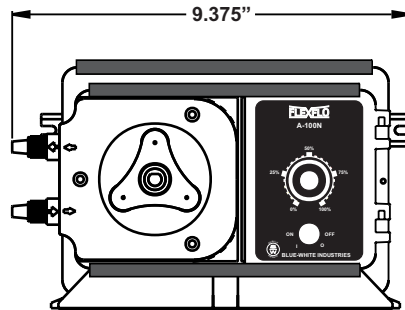
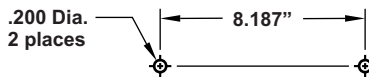


Dimensions:

Base Mounting



Rear Panel Mounting



Model Number Matrix:

MODEL A1N [] [] S - [] - []

Maximum Motor RPM 0 = 14 RPM 1 = 30 RPM 2 = 45 RPM 3 = 60 RPM
Power Supply 0 = 115V60Hz 1 = 220V50Hz* 2 = 230V60Hz 8 = 240V50Hz AS 3112 (Australia/New Zealand) 9 = 230V50Hz BS 1363 (UK)
Output Control S = Analog timer, 60 sec. Cycle - 10% duty C = Analog timer, 5 sec. Cycle - 100% duty A = Analog timer, 60 sec. Cycle - 100% duty V = Digital speed control with external input F = Analog speed control E = Digital batch timer with external input Z = Proportional feed system - JBox/Cord X = No output control - fixed feed rate

Miscellaneous Options (not required) 1 = T140-6V injector replaces A-014N-6A 2 = C-340V footvalve replaces C-342-6 strainer 5 = A-014NK-6A injector PVDF T7 = 7 gallon chemical tank system T15 = 15 gallon chemical tank system T30 = 30 gallon chemical tank system
--

Tubing Connection Type T = Compression tube nuts
--

Pump Tube Size and Material 1 = 1/4" OD Flex-A-Thane [®] 2 = 3/8" OD Flex-A-Thane [®] 3 = 7/16" OD Flex-A-Thane [®] 4 = 1/4" OD Flex-A-Prene [®] 5 = 5/16" OD FKM 6 = 3/8" OD Flex-A-Prene [®] 7 = 7/16" OD Flex-A-Prene [®] 8 = 7/16" OD Flex-A-Chem [®]

Maximum Flow rate and pressure capacities:

Tube no.	Tubing Material	14 RPM MODELS					30 RPM MODELS					45 RPM MODELS					60 RPM MODELS				
		ml/m	oz/m	lph	gph	PSI(bar)	ml/m	oz/m	lph	gph	PSI(bar)	ml/m	oz/m	lph	gph	PSI(bar)	ml/m	oz/m	lph	gph	PSI(bar)
1	Flex-A-Thane [®]	1.5	0.05	.090	.024	65(4.5)	3.5	.118	.210	.055	65(4.5)	5.4	.183	.324	.086	65(4.5)	6.7	.226	.402	.106	65(4.5)
2	Flex-A-Thane [®]	3.2	.108	.192	.051	65(4.5)	7.5	.254	.450	.119	65(4.5)	11.5	.389	.690	.182	65(4.5)	14.0	.473	.840	.222	65(4.5)
3	Flex-A-Thane [®]	7.3	.247	.437	.116	50(3.5)	17.3	.585	1.038	.274	50(3.5)	26.1	.882	1.566	.414	50(3.5)	32.6	1.101	1.956	.517	50(3.5)
4	Flex-A-Prene [®]	.6	.020	.036	.010	100(6.9)	1.3	.044	.078	.021	100(6.9)	2.1	.071	.126	.033	100(6.9)	2.5	.085	.150	.040	75(5.2)
5	FKM	1.1	.037	.066	.017	25(1.7)	2.6	.088	.156	.041	25(1.7)	3.9	.131	.234	.062	25(1.7)	4.8	.162	.288	.076	25(1.7)
6	Flex-A-Prene [®]	1.8	.061	.108	.029	100(6.9)	4.2	.142	.252	.067	100(6.9)	6.3	.213	.378	.100	100(6.9)	7.9	.267	.474	.125	75(5.2)
7	Flex-A-Prene [®]	5.7	.192	.342	.090	50(3.5)	13.8	.466	.828	.219	50(3.5)	20.0	.676	1.200	.317	50(3.5)	25.0	.845	1.500	.396	50(3.5)
8	Flex-A-Chem [®]	4.0	.135	.240	.063	50(3.5)	8.4	.280	.504	.131	50(3.5)	14.0	.473	.840	.222	50(3.5)	18.0	.610	1.080	.285	50(3.5)

* NOTE: 50Hz units deliver 20% less output.

Gallons shown are U.S. Gallons

Replacement Pump Tubes:

Pump Model Number Suffix	Pump Tube Part Number	Pump Tube Material	Nominal Pump Tube OD
-1T	A1-1T	Flex-A-Thane [®]	1/4" (6,4mm)
-2T	A1-2T	Flex-A-Thane [®]	3/8" (9,5mm)
-3T	A1-3T	Flex-A-Thane [®]	7/16" (11,1mm)
-4T	A1-4T	Flex-A-Prene [®]	1/4" (6,4mm)
-5T	A1-5T	FKM	5/16" (7,9mm)
-6T	A1-6T	Flex-A-Prene [®]	3/8" (9,5mm)
-7T	A1-7T	Flex-A-Prene [®]	7/16" (11,1mm)
-8T	A1-8T	Flex-A-Chem [®]	7/16" (11,1mm)